



The WHOLE Solution

InnoGain SPB-D

Description:

InnoGain SPB-D creates vertical profiled openings in (foundation) beams, balconies and gallery slabs.

The InnoGain SPB-D can be attached to the formwork within one minute. The fixing is done with a trapezoidal 16mm screw thread in the screw base or magnetic base and does not require any further support.

No rust on elements during outdoor storage or on visible parts. Rolling up of a the steel corrugated tube during assembly on the construction site is excluded.

Taping or sealing of steel corrugated tubes is no longer necessary. No more injuries such as cuts or abrasions that occur during the processing of traditional steel corrugated tubes.

After the manual removal of the InnoGain, a clean, dry and profiled recess is left in which cast mortar adheres excellently.

By not using traditional steel corrugated tubes, raw materials are limited and CO2 emissions for this application are kept to a minimum.

System:

The InnoGain SPB-D is based on a unique interplay between a rigid inner core and the flexible profiled outer cover.

The flexible outer cover of the SPB-D will undergo a diameter reduction during manual removal. After removal, the flexible outer part returns to its original shape.

The special composition of the rubber of the InnoGain SPB-D prevents the adhesion of concrete residues. This allows them to be used again immediately.



Benefits:

- Reusable with minimal maintenance.
- Significant material and labor saving.
- Easy in use.
- Rust formation excluded.
- Guaranteed angle mounting.
- Mounted within 1 minute.
- No specialist tools required.
- Durable by saving steel corrugated tubes.
- Saving logistics and transport costs.
- 100% recyclable.



Ballykillduff, Tobinstown, Tullow, Co. Carlow.

www.InnoGain.com



InnoGain SPB-D

Specification:

InnoGain SPB-D

Article	Description	Size (mm)	Weight (KG)
I214030	SPB-D	Ø43x300/330	1.00
I215040	SPB-D	Ø53x400/450	1.95
I216040	SPB-D	Ø63x400/450	2.12
I216060	SPB-D	Ø63x600/650	2.91
I216075	SPB-D	Ø63x750/800	3.60



Accessories:

InnoGain SPB-D SV (screwfeet)

Article	Description	Size (mm)	Weight (KG)
I1291001	SPB-D SV	Ø43	0.25
I1291002	SPB-D SVW	Ø53/Ø63	0.45
I1291003	SPB-D SV	Ø73/Ø83	0.75



InnoGain SPB-D MV (Magnetfeet)

Article	Description	Size (mm)	Weight (KG)
I292001	SPB-D MV	Ø43	0.25
I292002	SPB-D MV	Ø53/Ø63	1.00
I292003	SPB-D MV	Ø73/Ø83	1.25



InnoWax

Article	Description	Size	Weight (KG)
I098025	InnoWax	1 ltr	0,90
I098030	InnoWax	5 ltr	4,50



Ballykillduff, Tobinstown, Tullow, Co. Carlow.

www.InnoGain.com

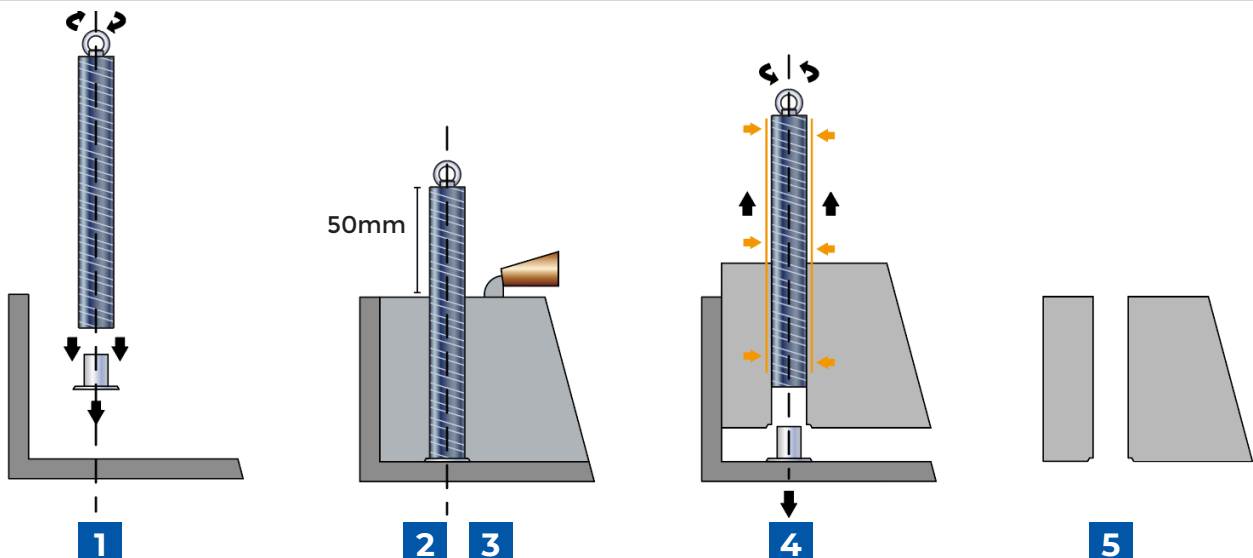


InnoGain SPB-D

Installation guide:

- 1** A. For wooden moulds, the base SPB-D SV should be screwed to the formwork or attached through the mould with a fixing bolt.
B. For steel moulds, the magnetic base SPB-D MV should be placed on the formwork and can also be secured with a fixing bolt if required.

Place the InnoGain SPB-D over the base SPB-D SV or the SPB-D MV.
- 2** Hand tighten the InnoGain SPB-D until the screw achieves a positive stop.
- 3** The concrete fill level is a maximum of 50mm from the top of the InnoGain SPB-D.
- 4** When the concrete is cured, undo the screw until the InnoGain SPB-D is released from the base plate and pull straight out of the concrete. The InnoGain SPB-D requires no cleaning and is usable immediately.
- 5** The result is a clean, dust free, profiled InnoGain hole.



Important remarks:

- a. Care should be taken to avoid sharp edges which may damage the flexible outer cover.
- b. InnoGain should only be used in concrete.
- c. Always ensure the InnoGain is pulled squarely from the concrete.
- d. After protracted use the InnoGain can get dry noticed by increasing pull resistance – an application of InnoWax can be used to restore the InnoGain.
- e. Use InnoGain SPB-D only for in vertical positions.

IMPORTANT: Directions for use are given for guidance only and are not intended to form part of any contract. They should be varied or adapted to suit your particular materials or conditions of use. Goods supplied by the company are made to approved standards from the highest quality raw materials but no warranty or guarantee is given as to their suitability for any particular purpose or application, and no liability is accepted for any loss or damage arising directly or indirectly from the use of the Company's products irrespective of any information given to us as to intended use of such products. It is therefore recommended that prospective users should test a sample of this product under their own conditions to satisfy themselves that the product is suitable for the purpose intended.

Instruction movie:

https://innogain.nl/producten/innogain_spb-d/



Ballykillduff, Tobinstown, Tullow, Co. Carlow.

www.InnoGain.com